

# Haverland RC Wave

## Quick Start Guide



### Scan here for full manual

Consult the full manual for advanced settings, warranty details and programming instructions.

[www.electricradiatorsdirect.co.uk/manuals/haverland/Haverland-RC-Wave-V2-Manual.pdf](http://www.electricradiatorsdirect.co.uk/manuals/haverland/Haverland-RC-Wave-V2-Manual.pdf)

#### Manual mode

Radiator works to a constant set temperature.

This icon displays when unit is heating.

- Use ▲ and ▼ to adjust set temperature.

#### Program mode

Radiator follows schedule. You can adjust the schedule in the Mode menu or app.

This icon shows what program mode is running:

- ☀ Comfort
- 🌙 Economy
- ❄ Frost
- 🔌 Standby

You can adjust program mode temperatures in the Mode menu or app.

This icon displays when an override temperature is running.

Use ▲ and ▼ to set an override temperature.

#### Boost mode

This icon displays when unit is in Boost mode.

- Hold down 2h for 2 seconds to activate Boost mode.

- The radiator will heat at maximum power for 2 hours, overriding any other mode selected.

#### Baby Care mode

This icon displays when unit is in Baby Care mode.

- Hold down 👶 for 2 seconds to activate Baby Care mode.

- The radiator will heat at approximately half the wattage, keeping the surface at a lower temperature.

#### Keypad lock

This icon displays when unit keypad is locked.

- Hold down ▲ and ▼ for 2 seconds to lock the keypad.

- Once the keypad is locked, hold down ▲ and ▼ for 2 seconds to unlock it.

#### Set date & time

- When you first turn the radiator on, it will prompt you to set the time.

- Use ▲ and ▼ to select the current day. Press □ to confirm.

- Use ▲ and ▼ to select the current hour. Press □ to confirm.

- Use ▲ and ▼ to select the current minutes. Press □ to confirm.

- Use ⏻ to switch on.

#### Select mode & temperature

- Press □ to enter menu.

- Press □ to enter Mode menu.

- Use ▲ and ▼ to choose either "Man" (Manual) or "Prog" (Programming) mode. Press □ to select.

#### Using the app

- Download the **Haverland BT app** from AppStore (iOS) or Google Play (Android).

- Tap each hour to choose the heating modes:

☀	☀	☀	☀	☀	☀	☀
1	1	1	1	1	1	1
2	2	2	2	2	2	2
3	3	3	3	3	3	3

☀ Eco = custom      🔌 Standby = no heat  
 ☀ Comfort = custom      ❄ Frost = 7°C

- Select day to copy its program to other days.

- Choose your Comfort and Eco temperatures at the bottom of the app.

☀ 17°C    30°C ☀

#### Send to radiator

- Press on app. Long press on radiator.

- Press then select your radiator.

- Press to send your program to the radiator.

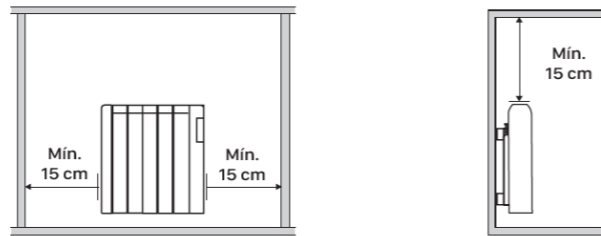
## Safety Guidance

Please read all instructions carefully before use

- **WARNING:** In order to avoid overheating, do not cover the heater.
- **WARNING:** If the heater is to be installed in a bathroom, it must be positioned so that it cannot be touched by anybody in the bath or shower.
- **WARNING:** If the mains power cable is damaged, it must be replaced by the manufacturer, with their after-sales service or similar qualified persons, in order to prevent any danger.
- **WARNING:** Certain parts of this product can become very hot and cause burns. Special attention shall be paid when children and other vulnerable persons are present.
- **CAUTION:** Keep bags and other accessories well out of the reach of children.
- To disconnect mains power from the radiator, remove the plug from the wall socket; never pull on the cable.
- Do not leave the mains cable in contact with the radiator when it is switched on.
- During operation, the radiator must be kept well away from combustible materials, such as curtains, carpets and furniture etc.
- The warranty does not cover any damage caused by not reading these instructions.
- The installation should be carried out with consideration to the manufacturer's instructions and in accordance with the relevant National Wiring Regulations BS7671.
- It is very important that radiator has a good Electric Earth connection.
- The radiator shall be installed so that its mains plug is always accessible.
- The radiator must not be installed below or in front of a mains socket.
- This radiator cannot be surface mounted with a wall. Safety distances shall always be respected.
- The radiator has a keyboard lock option to prevent children from changing the settings.
- This unit is not designed to be handled by persons (including children) with physical, sensorial or mental handicaps, with little experience or knowledge, unless they are under the supervision of an adult responsible for their safety with the instructions on its use.
- Children shall always be supervised to ensure they do not play with the unit.
- Children under three shall be kept well away from the heater unless they are continually supervised.
- Children between three and eight shall only switch the unit off or on providing it is positioned or installed in its final operating location and be supervised or have received instructions on how to use the unit in a safe manner and understand the risks involved.
- Children between three and eight shall not plug in, adjust or clean the heater or carry out any maintenance operations.
- This unit may be used by children older than eight and by persons with physical, sensorial or mental handicaps, with little experience or knowledge, provided they have been duly trained and are supervised by an adult that understands the risks involved.
- Cleaning and maintenance shall be performed by adults not children. Children must not play with the unit.
- Do not touch the external parts of the radiator when it is operating.
- It is quite normal that, with the first switch-on, the unit produces a "new" smell. Allow your heater to operate in a well-ventilated place for two or three hours.
- Before the first switch on for the coming winter, the unit should be cleaned (follow the steps given in the "maintenance section". This will prevent burning of accumulated dust and other remains.
- This radiator CAN'T OPERATE with external programmable controllers or any other exterior control device.
- The convection effect, together with other ambient factors, can cause discolouring to metal surfaces and to plastics.
- Temperature differences can cause crackling and other noises in the unit. This does not indicate any failure in the radiator.
- When the radiator is disposed of, the requirements established by current legislation on waste processing and recycling shall be taken into account.

## ! Important

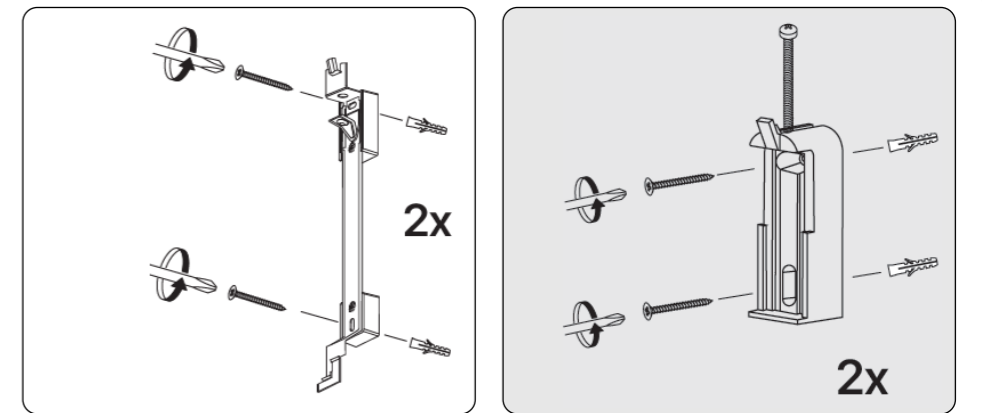
- The product must be fitted securely to a solid and levelled wall.
- Make sure there is a suitable socket within reach of the power cable.
- A minimum distance of 15cm must be maintained between the radiator and any object, including adjacent walls.



You must keep a minimum distance of 15cm between the radiator and any object, wall or combustible material.

### 3.

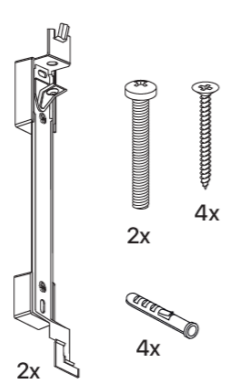
Attach the brackets to the wall, using the wall plugs and screws.



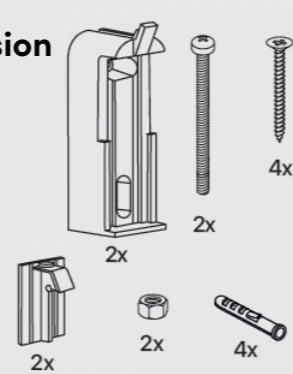
Your RC Wave will come with one of two types of brackets: Version A or Version B.

**Check which bracket set you have:**

#### A Version

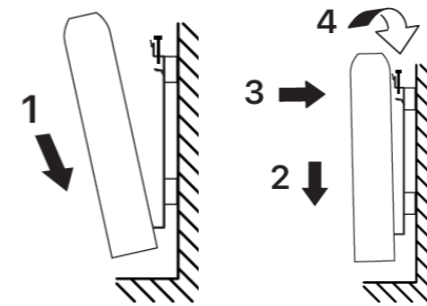


#### B Version



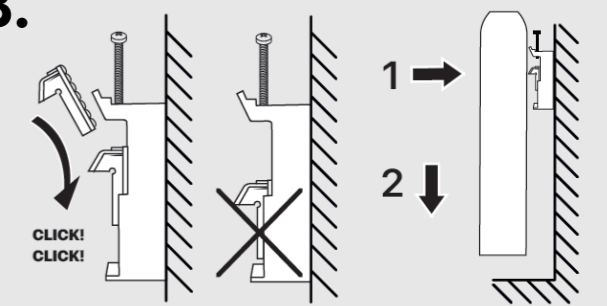
### 4A.

Fix the radiator on the bottom tang, then slide up and over the top tang.

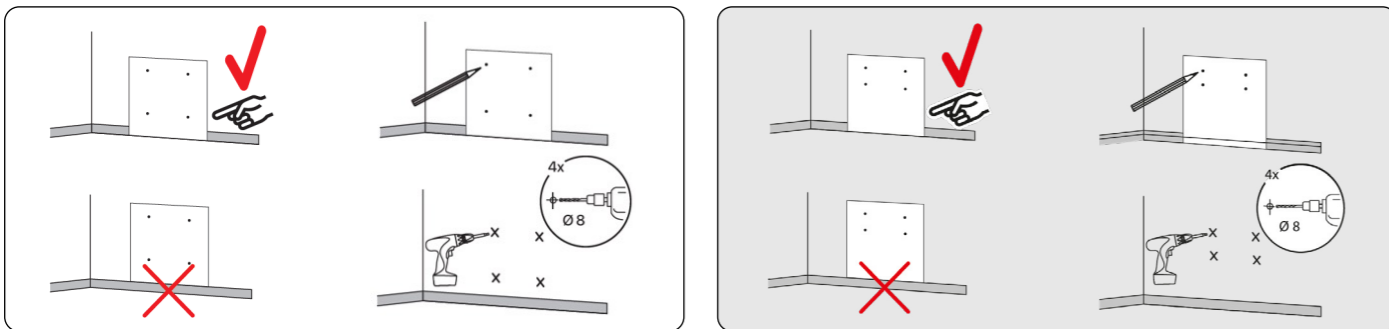


### 4B.

Slide the fasteners into the brackets until you hear a click. Lift the radiator onto both tangs then slide down.

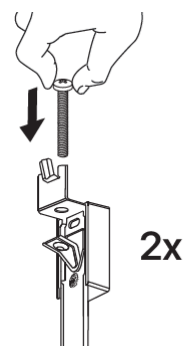


### 1. Use the template provided to mark and drill four holes:



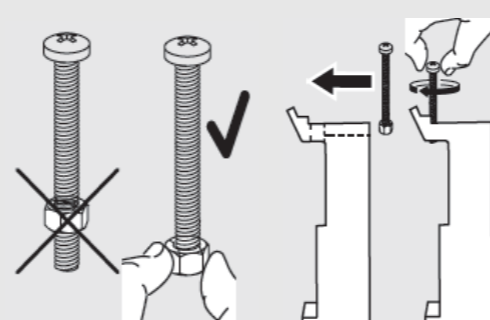
### 2A.

Place the screw in the bracket. (Don't screw it in fully.)



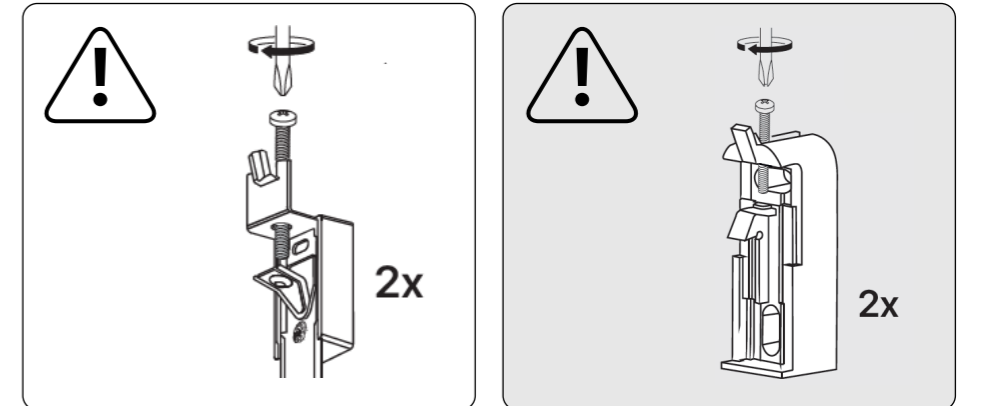
### 2B.

Twist the nut onto the tip of the screw and place into the bracket. (Don't screw it in fully.)



### 5.

Screw the fixing screws into the brackets to secure the radiator.



### 6.

Plug the radiator into a 13amp socket and power on at the rocker switch.

